

Output Module

INSTALLATION GUIDE

Version 1.04

English

EN 101.00.OM-120 V1.04

CONTENTS

Safety information	2	Product Specifications	17
Instructional icons	2	Dimensions	18
Introduction	4	FCC compliance information	19
Components	4	Appendices	20
Accessory	5	Disclaimers	20
Name of each part	6	Copyright Notice	20
LED Indicator	7		
Installation example	7		
Installation	8		
Power Connection	9		
RS-485 Connection	10		
Relay Connection	11		
AUX	12		
Using the Output Module with the enclosure	13		

Safety information

Please read this safety instructions before you use the product to prevent injury to yourself and others and to prevent property damage. The term 'product' in this manual refers to the product and any items provided with the product.

Instructional icons



Warning: This symbol indicates situations that could result in death or severe injury.



Caution: This symbol indicates situations that may result in moderate injury or property damage.



Note: This symbol indicates notes or additional information.



Warning

Installation

When using a high-capacity power supply, please pay special attention to avoid miswiring.

- Miswiring may result in serious fire, electric shock, or product damage.

Do not install or repair the product arbitrarily.

- This may result in electric shock, fire, or product damage.
- Damages caused by any modifications or failure to follow installation instructions can void the manufacturer's warranty.

Do not install the product in a place with direct sunlight, moisture, dust, soot, or a gas leak.

- This may result in electric shock or fire.

Do not install the product in a location with heat from an electric heater.

- This may result in fire due to overheating.

Install the product in a dry location.

- Humidity and liquids may result in electric shock or product damage.

Do not install the product in a location where it will be affected by radio frequencies.

- This may result in fire or product damage.

Operation

Keep the product dry.

- Humidity and liquids may result in electric shock, fire, or product damage.

Do not use damaged power supply adapters, plugs, or loose electrical sockets.

- Unsecured connections may cause electric shock or fire.

Do not bend or damage the power cord.

- This may result in electric shock or fire.



Caution

Installation

Please read this manual before installing the product to ensure a safe and correct installation.

When wiring the power cable and other cables, make sure to connect them with the power turned off for all devices involved.

- The product may malfunction.

Before connecting power to the product, double-check the manual to ensure that the wiring is correct, then connect the power.

Do not install the product in a place where it is exposed to direct sunlight or UV light.

- This may cause product damage, malfunction, discoloring or distortion.

Do not install the power supply cable in a location where people pass by.

- This may result in injury or product damage.

Do not install the product near magnetic objects, such as a magnet, TV, monitor (especially CRT), or speaker.

- The product may malfunction.

Use the IEC/EN 62368-1 approved power adapter that supports higher power consumption than the product. It is highly recommended to use the power adapter sold by Suprema.

- If the right power supply is not used, the product may malfunction.
- Refer to the **Power** in the product specifications for maximum current consumption specifications.

Operation

Do not drop the product or cause impacts to the product.

- The product may malfunction.

Do not disconnect the power supply while upgrading the firmware of the product.

- The product may malfunction.

Do not press buttons on the product by force or do not press them with a sharp tool.

- The product may malfunction.

Use the product at a temperature of -20 °C to 60 °C. Do not keep the product at an extremely low or high temperature.

- The product may malfunction.

When cleaning the product, mind the following.

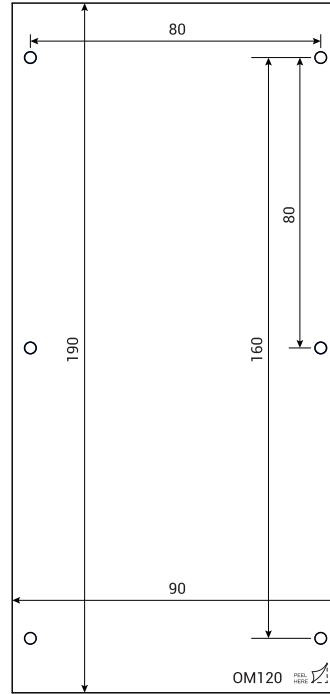
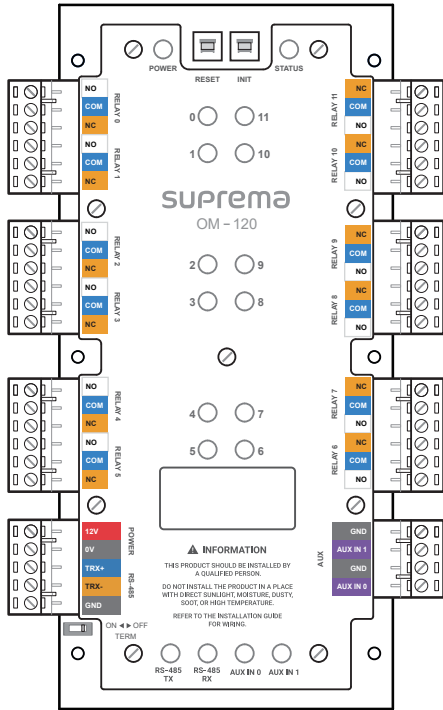
- Wipe the product with a clean and dry towel.
- If you need to sanitize the product, moisten the cloth or the wipe with a proper amount of rubbing alcohol and gently clean all exposed surfaces including the fingerprint sensor. Use rubbing alcohol (containing 70% Isopropyl alcohol) and a clean, non-abrasive cloth like lens wipe.
- Do not apply liquid directly to the surface of the product.

Do not use the product for anything other than its intended use.

- The product may malfunction.

Introduction

Components

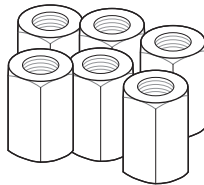


**Output Module
(OM-120)**

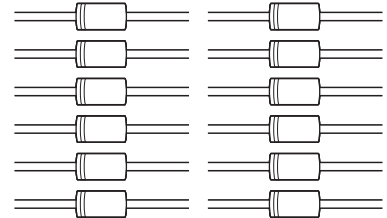
Drilling Template



Fixing Screw x12



Spacer x6



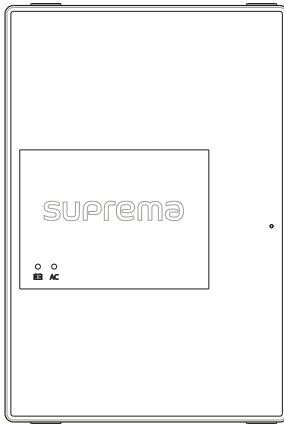
Diode x12



Components may vary according to the installation environment.

Accessory

You can use the Output Module with the enclosure (ENCR-10). The enclosure is sold separately, and you can install two Output Modules in one enclosure. The enclosure includes a power status LED board, power distribution board, power supply, and tamper. To learn how to install the Output Module in the enclosure, refer to [Using the Output Module with the enclosure](#).

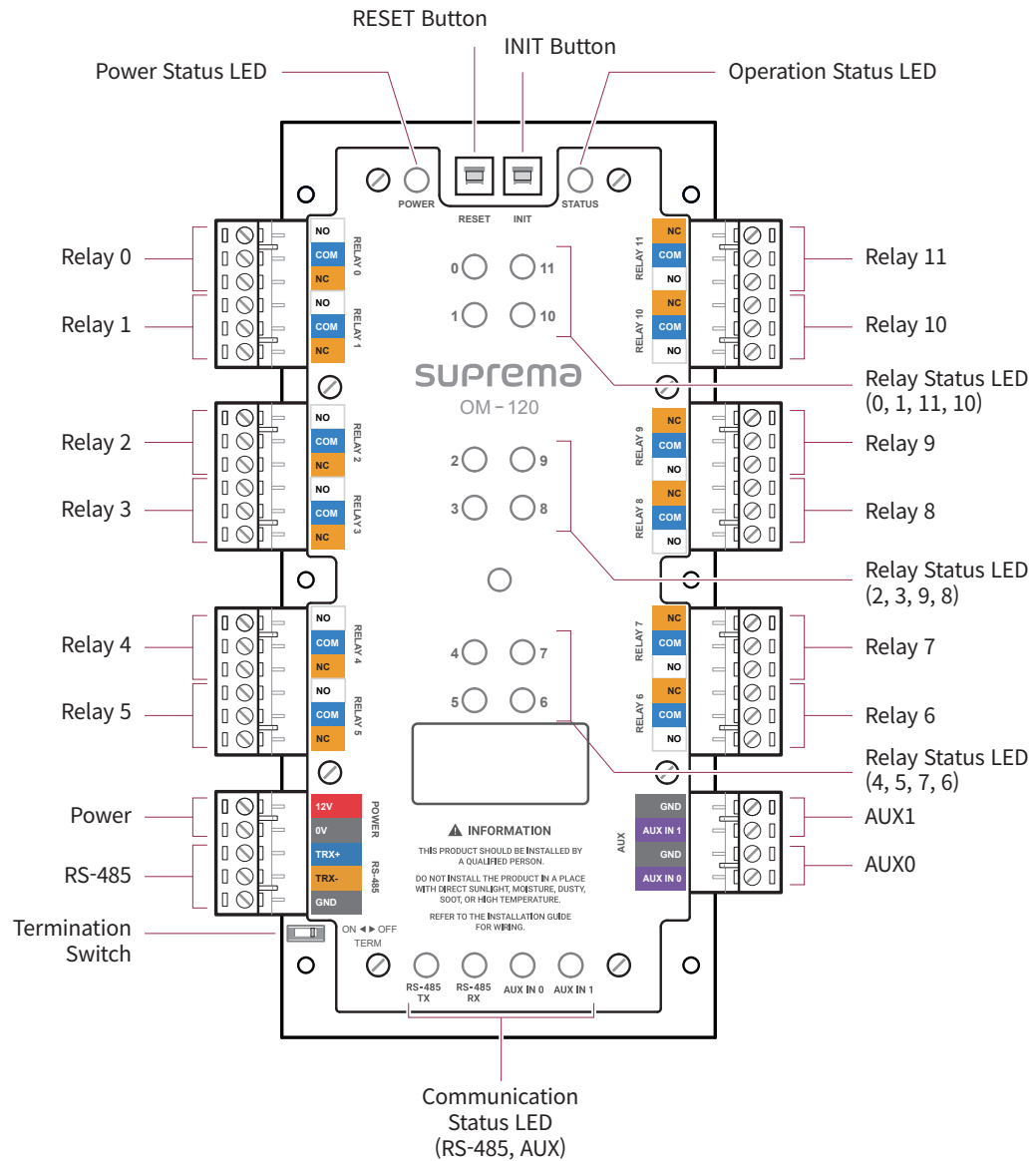


ENCR-10



- There is no optimal height for installing ENCR-10 on the wall. Install it to a safe and convenient location for you to use.
- Fixing screws for the enclosure, the device, and the power supply cable are included in the ENCR-10 package. Use each screw correctly by following the details below.
 - Fixing screws for the enclosure (diameter: 4 mm, length: 25 mm) x 4
 - Fixing screws for the device (diameter: 3 mm, length: 5 mm) x 6
 - Fixing screws for the power supply cable (diameter: 3 mm, length: 8 mm) x 1

Name of each part



- Press INIT button to reset Output Module interworking with a device and then connect to another device.

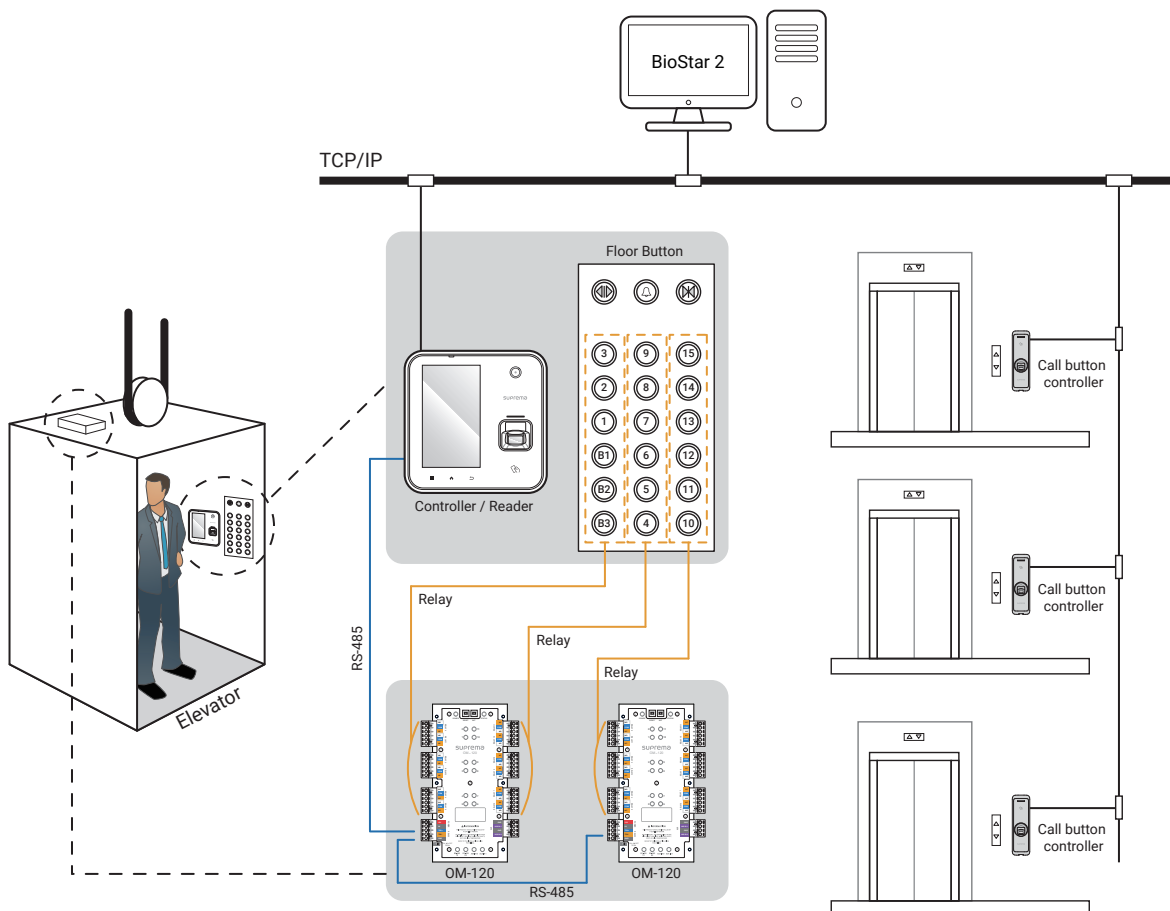
LED Indicator

You can check the status of the device by the color of the LED indicator.

Item	LED	Status
POWER	Solid red	Power on
STATUS	Solid green	Connected with the secure session
	Solid blue	Disconnected from a master device
	Solid pink	Upgrading the firmware
	Solid yellow	RS-485 communication error due to different encryption key or OSDP packet loss
	Solid sky blue	Connected without the secure session
RELAY (0 - 11)	Solid red	Relay operation
RS-485 TX	Blinking orange	Transmitting RS-485 data
RS-485 RX	Blinking green	Receiving RS-485 data
AUX IN (0, 1)	Solid orange	Receiving an AUX signal

Installation example

OM-120 is an expansion module for floor access control. Combined with Suprema device and BioStar 2, a single module can control 12 floors. When the OM-120 is connected as daisy chain via RS-485, you can control up to 192 floors per elevator.



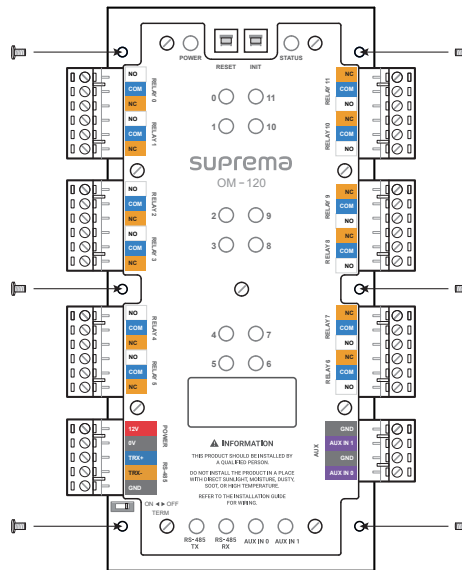
Installation

Output Module can be mounted in the enclosure or elevator control panel.

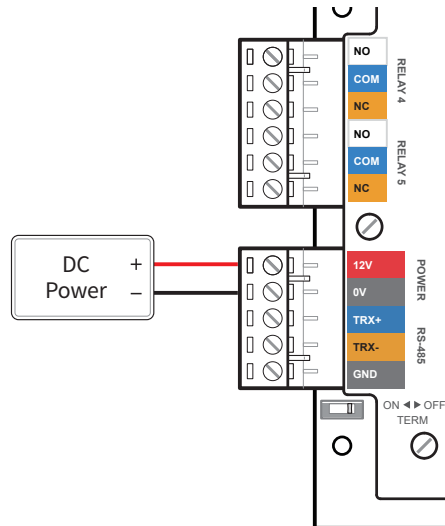


- To learn how to install the Output Module in the enclosure, refer to [Using the Output Module with the enclosure](#).

- 1 Fix a spacer on the position to mount Output Module using a fixing screw.
- 2 Fix the product on top of the fixed spacer firmly using a fixing screw.



Power Connection



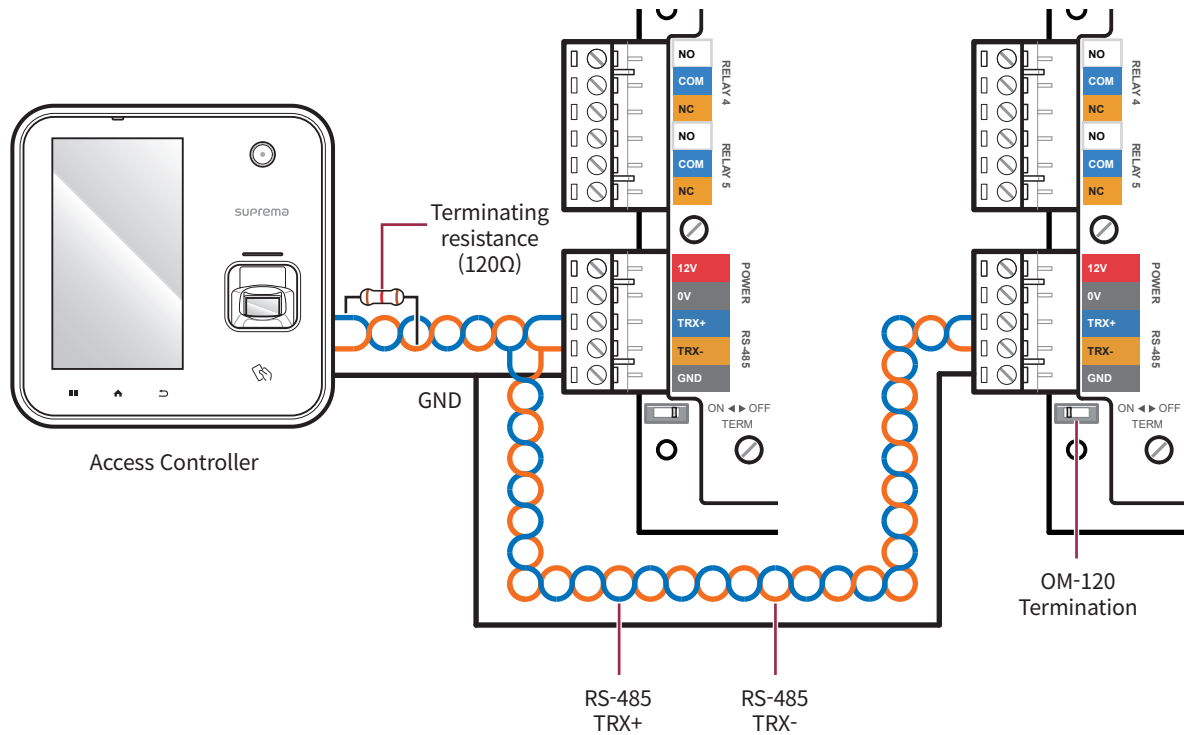
- Make sure to use separate power for the access control device and Output Module.
- Use the IEC/EN 62368-1 approved power adapter that supports higher power consumption than the product. If you wish to connect and use another device to the power supply adapter, you should use an adapter with a current capacity which is the same or larger than the total power consumption required for the terminal and another device.
 - Refer to the **Power** in the product specifications for maximum current consumption specifications.
- DO NOT extend the length of power cable when using the power adapter.



- It is recommended to connect and use an Uninterruptible Power Supply (UPS) to prevent power failure.

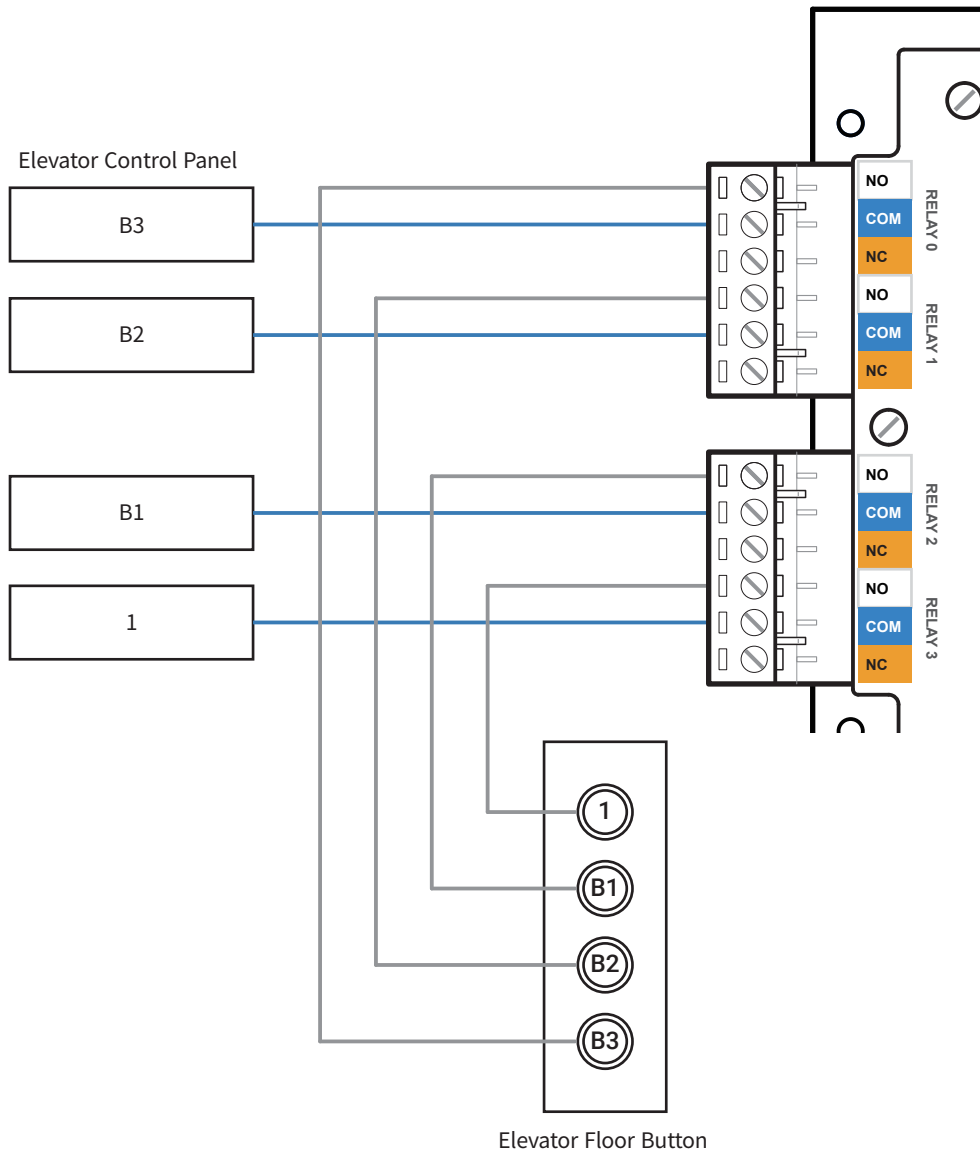
RS-485 Connection

- RS-485 should be AWG24, twisted pair, and maximum length is 1.2 km.
- Connect a termination resistor (120Ω) to both ends of a RS-485 daisy chain connection. It should be installed at both ends of the daisy chain. If it is installed in the middle of the chain, the performance in communicating will deteriorate because it reduces the signal level.
- Up to 31 modules can be connected to the master device.



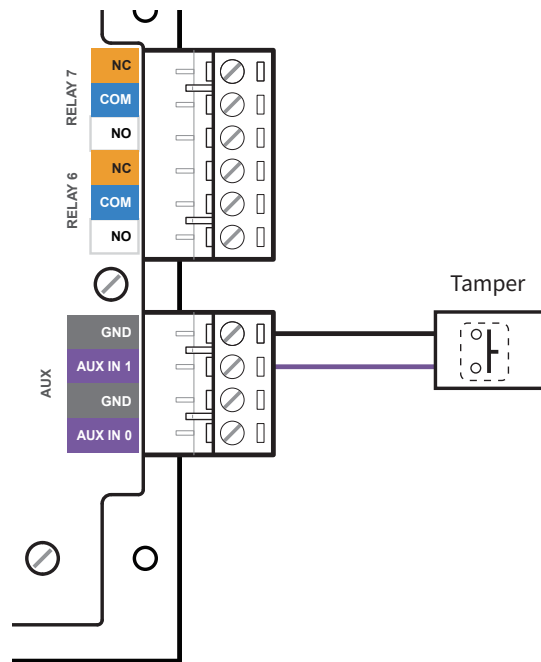
Relay Connection

- Relay connection may vary depending on the elevator. Please consult your elevator installer for details.
- Each relay has to be connected to the corresponding floor.
- Use the figure below as an example.



AUX

The dry contact output or tamper can be connected.

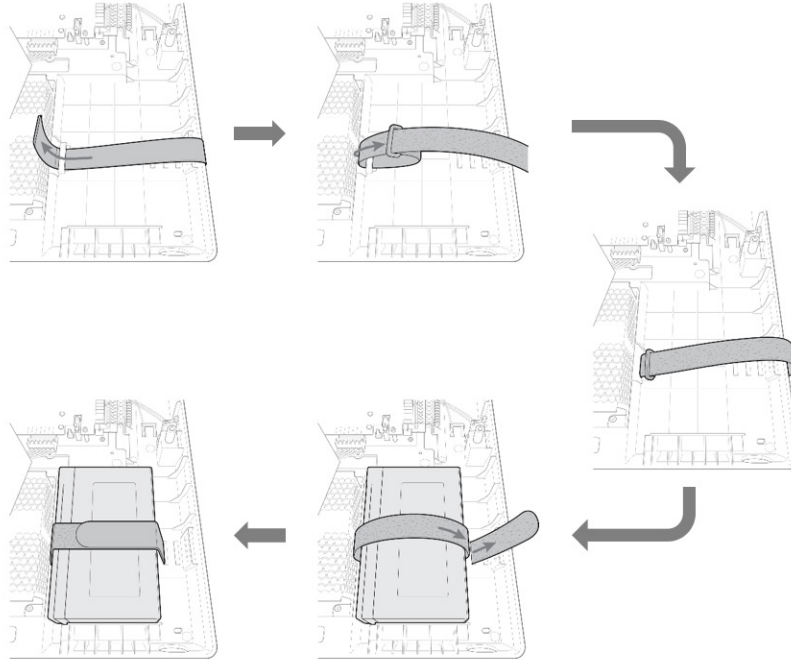


Using the Output Module with the enclosure

The Output Module can be installed inside the enclosure (ENCR-10) for physical and electrical protection. The enclosure includes a power status LED board, power distribution board, power supply, and tamper. The enclosure is sold separately.

Securing the battery

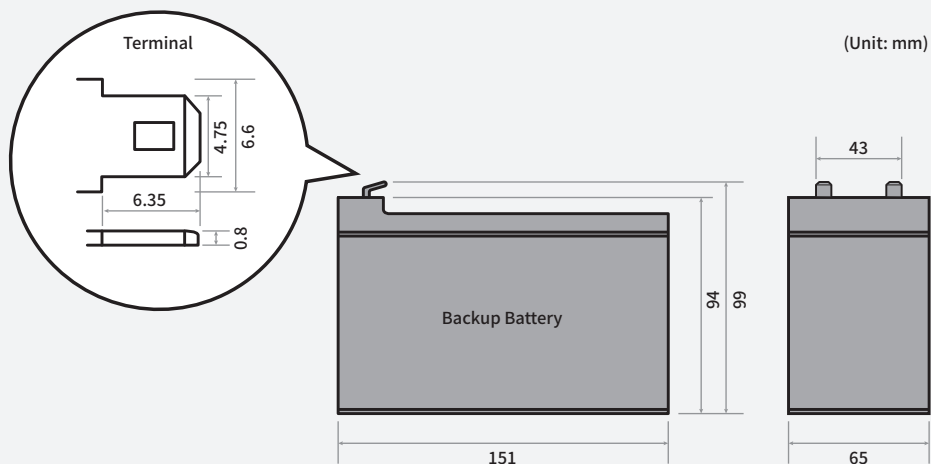
Insert the battery velcro strap into the enclosure and secure the battery.



- Use a backup battery with 12 VDC and 7 Ah or higher. This product was tested with 'ES7-12' battery of 'ROCKET'. It is recommended to use a battery corresponding to 'ES7-12'.

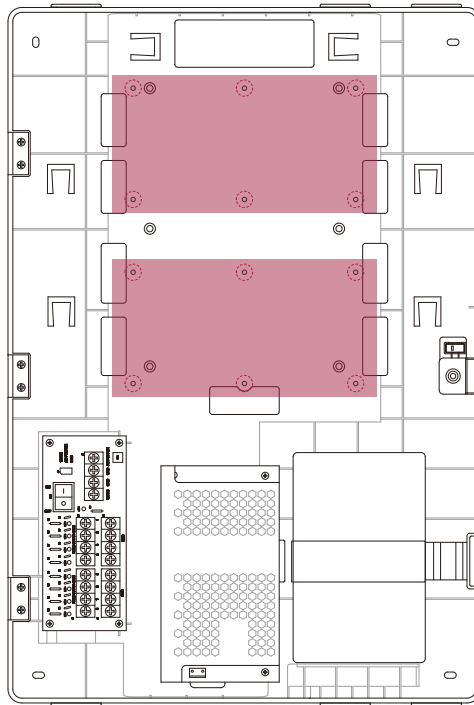


- The battery is sold separately.
- If the dimension of the backup battery is larger than the recommended specification, it may not be able to be mounted in the enclosure or the enclosure may not close after it is mounted. Also, if the shape and dimension of the terminals are different, the battery cannot be connected using the cable provided.

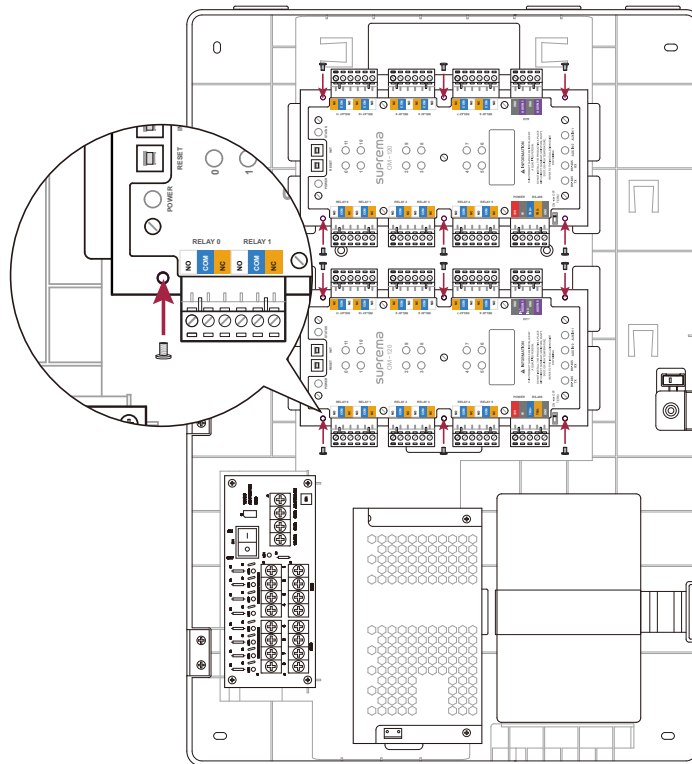


Installing the Output Module in the enclosure

- 1 Check the position to install the Output Module in the enclosure. You can install two Output Modules in one enclosure.

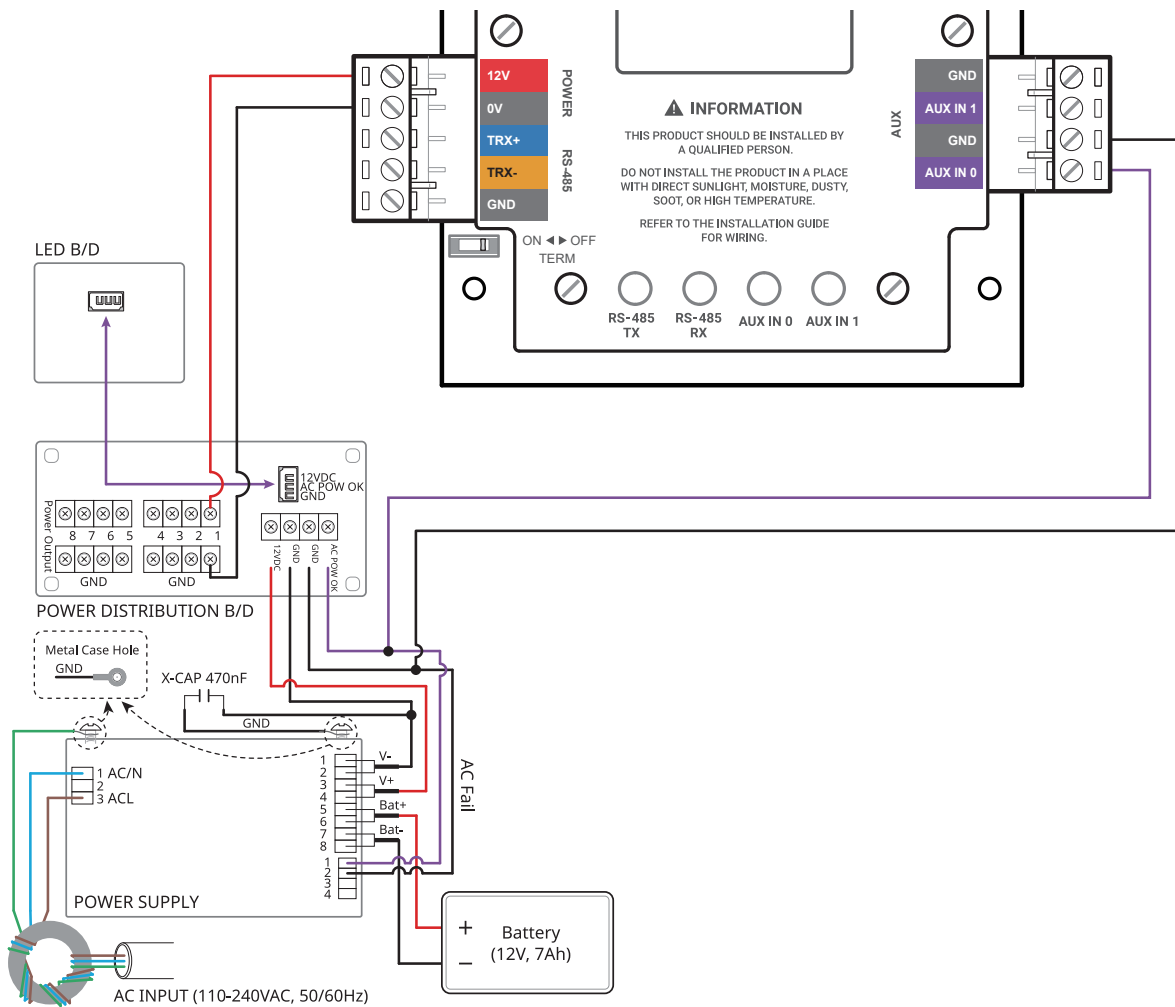


- 2 After positioning the Output Module in the enclosure, fix it with the fixing screws.



Power and AUX Input Connection

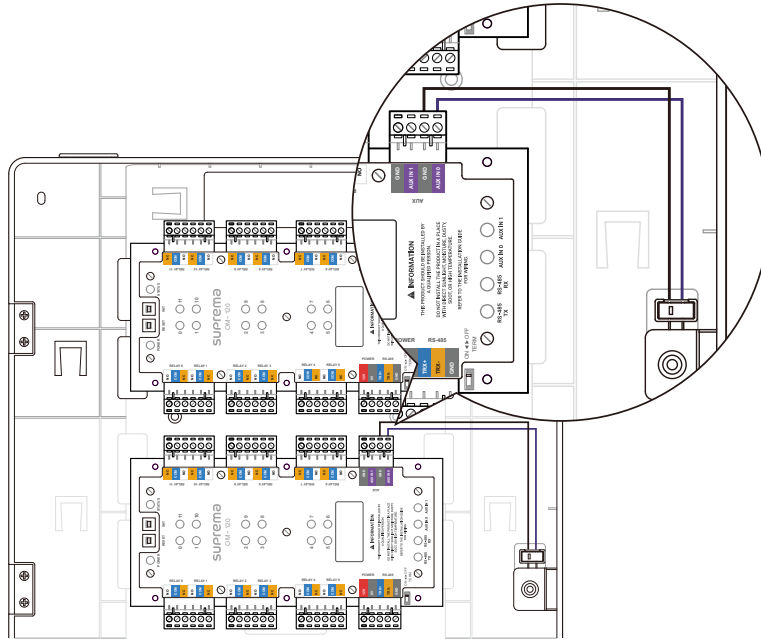
You can connect an Uninterruptible Power Supply (UPS) to prevent power failure. And a power failure detector or a dry contact output can be connected to the AUX IN terminal.



- Make sure to use separate power for the access control device and Output Module.
- Use the IEC/EN 62368-1 approved power adapter that supports higher power consumption than the product. If you wish to connect and use another device to the power supply adapter, you should use an adapter with a current capacity which is the same or larger than the total power consumption required for the terminal and another device.
 - Refer to the **Power** in the product specifications for maximum current consumption specifications.
- DO NOT extend the length of power cable when using the power adapter.
- Use a backup battery with 12 VDC and 7 Ah or higher. This product was tested with 'ES7-12' battery of 'ROCKET'. It is recommended to use a battery corresponding to 'ES7-12'.

Tamper Connection

If Output Module is detached from the installed location due to an external factor, it can trigger an alarm or save an event log.



- For more information, contact the Suprema technical support team (<https://support.supremainc.com>).

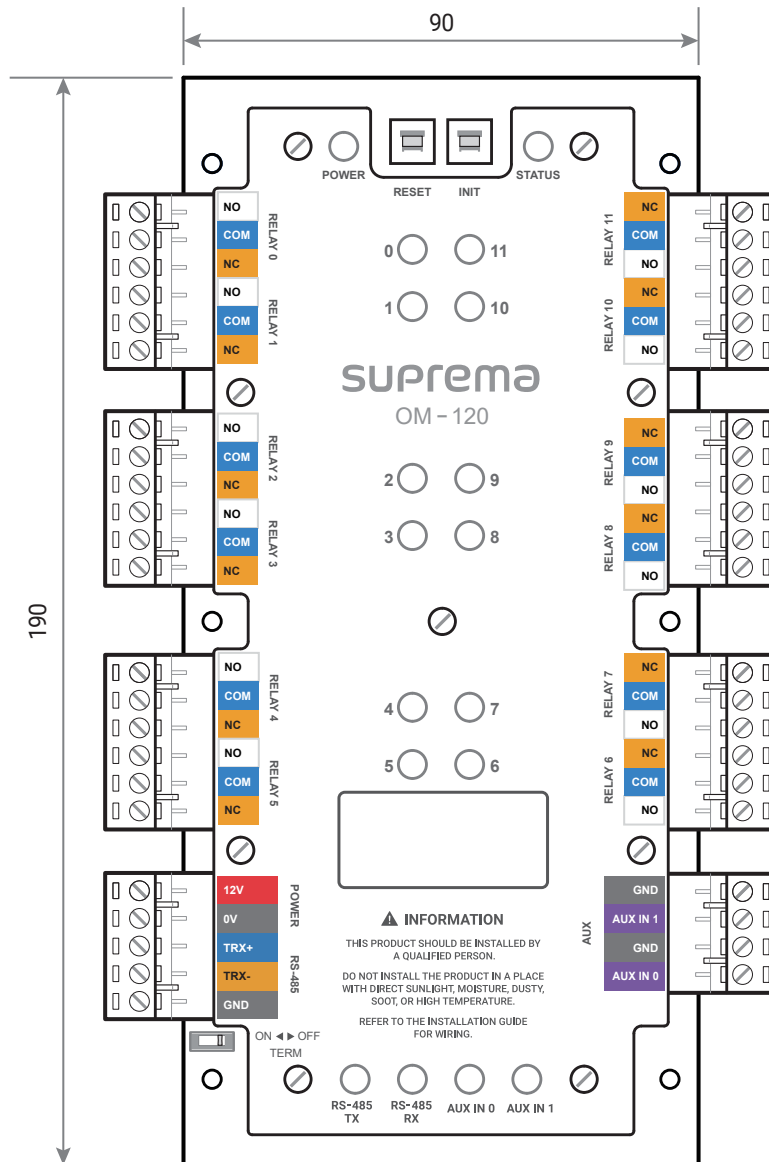
Product Specifications

Category	Feature	Specification
General	Model	OM-120
	CPU	Cortex M3 72 MHz
	Memory	128 KB Flash, 20 KB SRAM
	LED	Multi-color <ul style="list-style-type: none"> • POWER - 1 • RELAY - 12 • RS-485 TX - 1 • RS-485 RX - 1 • AUX IN - 2 • STATUS - 1
	Operating Temperature	-20 °C ~ 60 °C
	Storage Temperature	-40 °C ~ 70 °C
	Operating Humidity	0 % ~ 95 %, non-condensing
	Storage Humidity	0 % ~ 95 %, non-condensing
	Dimension (W x H x D)	90 x 190 x 21 (mm)
	Weight	300 g
	Certificates	CE, UKCA, KC, FCC, RoHS, REACH, WEEE
Interface	RS-485	1 ch
	RS-485 Communication Protocol	OSDP V2 compliant
	AUX Input	2 ch Dry Contact Input
	Relay	12 Relays
Capacity	Text Log	10 ea per port
Electrical	Power	<ul style="list-style-type: none"> • Voltage: 12 Vdc • Current: Max. 0.6 A
	Switch Input VIH	Max. 5 V (Dry Contact)
	Relay	5 A @ 30 VDC Resistive load

Dimensions

(Unit: mm)

* The tolerance is ± 0.3 mm.



FCC compliance information

THIS DEVICE COMPLIES WITH PART 15 OF THE FCC RULES.

Operation is subject to the following two conditions:

- (1) This device may not cause harmful interference, and
- (2) This device must accept any interference received, including interference that may cause undesired operation.



- This equipment has been tested and found to comply with the limits for a Class A digital device, pursuant to part 15 of the FCC Rules. These limits are designed to provide reasonable protection against harmful interference in a commercial installation. This equipment generates, uses, and can radiate radio frequency energy and, if not installed and used in accordance with the instructions manual, it may cause harmful interference to radio communications. Operation of this equipment in a residential area is likely to cause harmful interference, in which case the user will be required to correct the interference at his own expense.
- **Modifications:** Any modifications made to this device that are not approved by Suprema Inc. may void the authority granted to the user by the FCC to operate this equipment.

Appendices

Disclaimers

- Information in this document is provided in connection with Suprema products.
- The right to use is acknowledged only for Suprema products included in the terms and conditions of use or sale for such products guaranteed by Suprema. No license, express or implied, by estoppel or otherwise, to any intellectual property is granted by this document.
- Except as expressly stated in an agreement between you and Suprema, Suprema assumes no liability whatsoever, and Suprema disclaims all warranties, express or implied including, without limitation, relating to fitness for a particular purpose, merchantability, or noninfringement.
- All warranties are VOID if Suprema products have been: 1) improperly installed or where the serial numbers, warranty date or quality assurance decals on the hardware are altered or removed; 2) used in a manner other than as authorized by Suprema; 3) modified, altered, or repaired by a party other than Suprema or a party authorized by Suprema; or 4) operated or maintained in unsuitable environmental conditions.
- Suprema products are not intended for use in medical, lifesaving, life-sustaining applications, or other applications in which the failure of the Suprema product could create a situation where personal injury or death may occur. Should you purchase or use Suprema products for any such unintended or unauthorized application, you shall indemnify and hold Suprema and its officers, employees, subsidiaries, affiliates, and distributors harmless against all claims, costs, damages, and expenses, and reasonable attorney fees arising out of, directly or indirectly, any claim of personal injury or death associated with such unintended or unauthorized use, even if such claim alleges that Suprema was negligent regarding the design or manufacture of the part.
- Suprema reserves the right to make changes to specifications and product descriptions at any time without notice to improve reliability, function, or design.
- Personal information, in the form of authentication messages and other relative information, may be stored within Suprema products during usage. Suprema does not take responsibility for any information, including personal information, stored within Suprema's products that are not within Suprema's direct control or as stated by the relevant terms and conditions. When any stored information, including personal information, is used, it is the responsibility of the product users to comply with national legislation (such as GDPR) and to ensure proper handling and processing.
- You must not rely on the absence or characteristics of any features or instructions marked "reserved" or "undefined." Suprema reserves these for future definition and shall have no responsibility whatsoever for conflicts or incompatibilities arising from future changes to them.
- Except as expressly set forth herein, to the maximum extent permitted by law, the Suprema products are sold "as is".
- Contact your local Suprema sales office or your distributor to obtain the latest specifications and before placing your product order.

Copyright Notice

Suprema has the copyright of this document. The rights of other product names, brands, and trademarks belong to individuals or organizations who own them.



Suprema Inc.

17F Parkview Tower, 248, Jeongjail-ro, Bundang-gu, Seongnam-si, Gyeonggi-do, 13554, Rep. of KOREA

Tel: +82 31 783 4502 | Fax: +82 31 783 4503 | Inquiry: sales_sys@supremainc.com



For more information about Suprema's global branch offices,
visit the webpage below by scanning the QR code.
<http://www.supremainc.com/en/about/contact-us.asp>